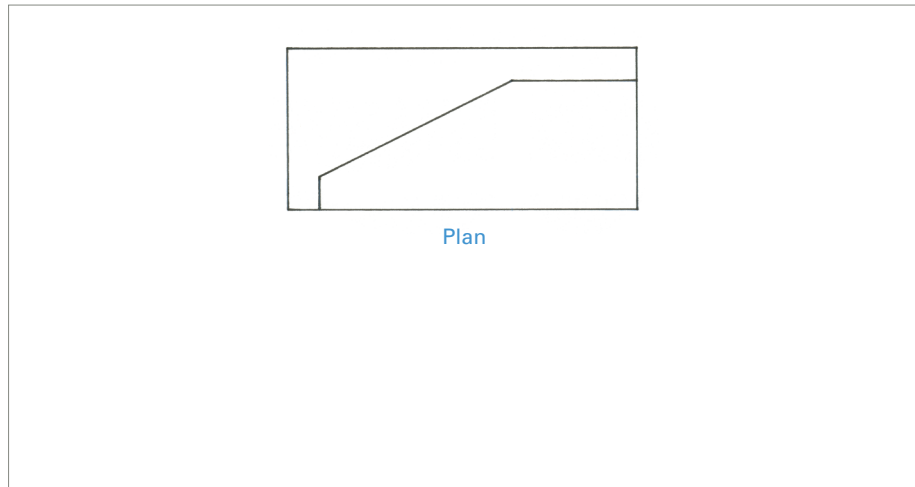
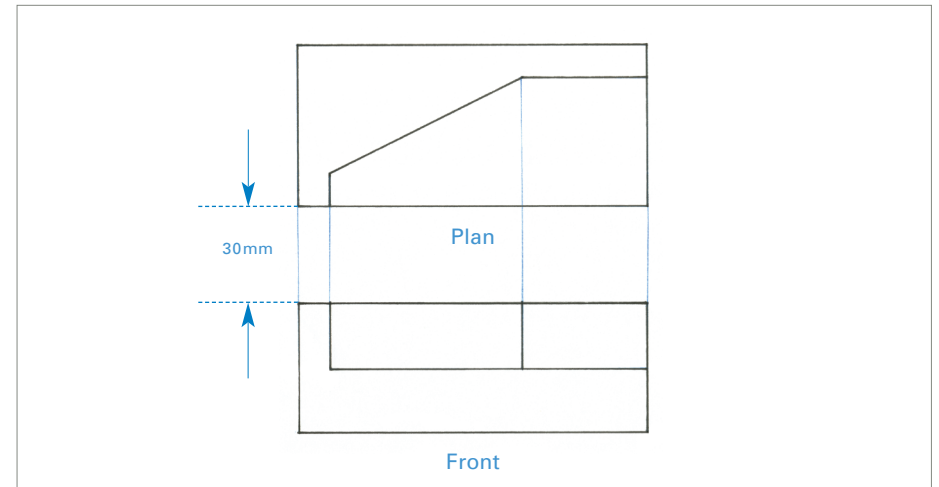


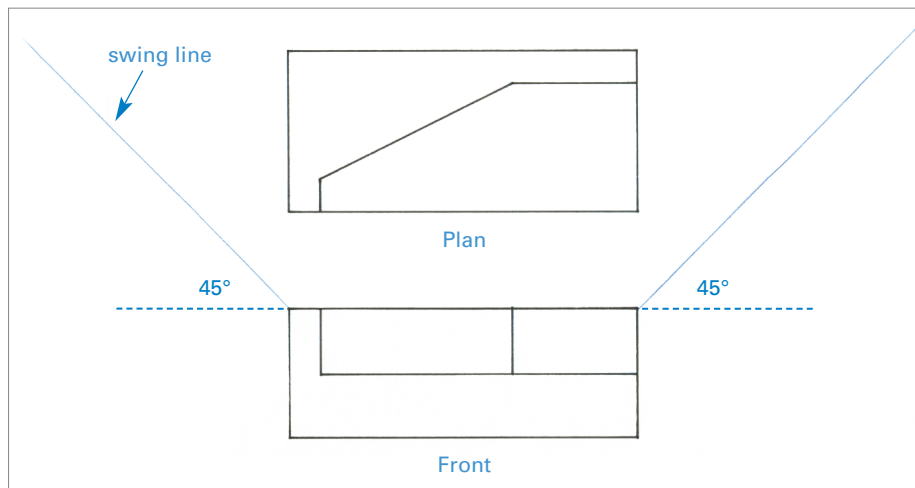
Orthographic 6.11 Setting up a TAP drawing



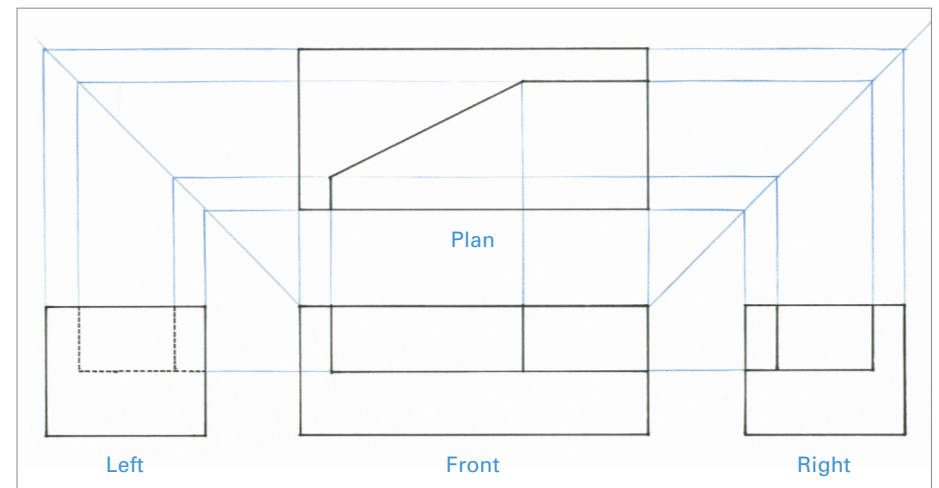
1 On an A4 sheet of paper draw the plan first in a faint pencil line, allowing space below to draw the front, left and right views.



2 Allow 30 mm between the bottom line of the plan and the top line of the front view and project all widths down from the plan.



3 Project 45° swing lines from the outside edges of the front view.



4 Project all depths horizontally from the plan on to the swing lines then vertically down to the right side view. Project heights horizontally from the front view to the right side view. Repeat process to establish the left view.