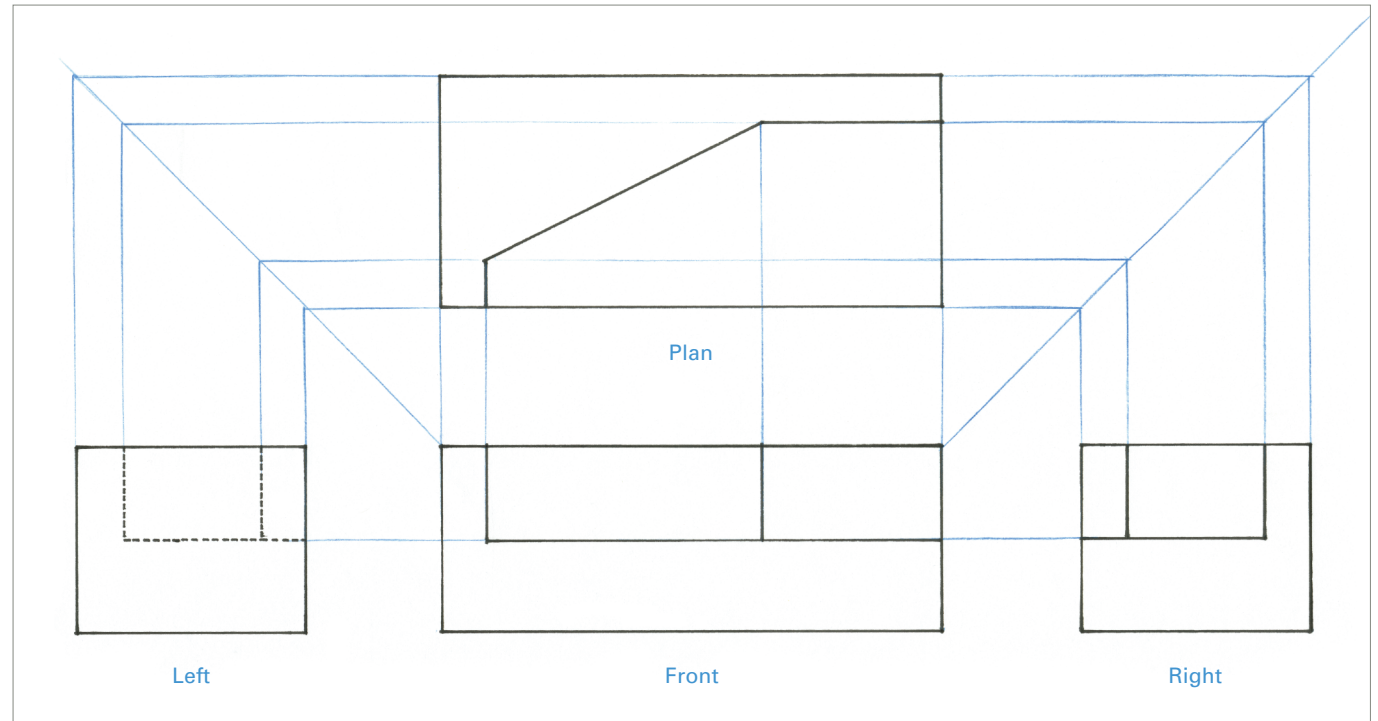


# Orthographic 6.1

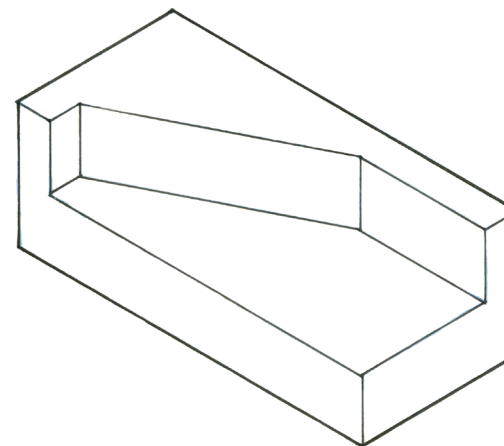
## Setting up a Third Angle Projection

Fig 6.1a shows the positioning of views relative to each other.

Study the diagrams on sheet 6.11 then complete the exercises on the following sheets in this chapter.



6.1a Third Angle Projection



Isometric representation