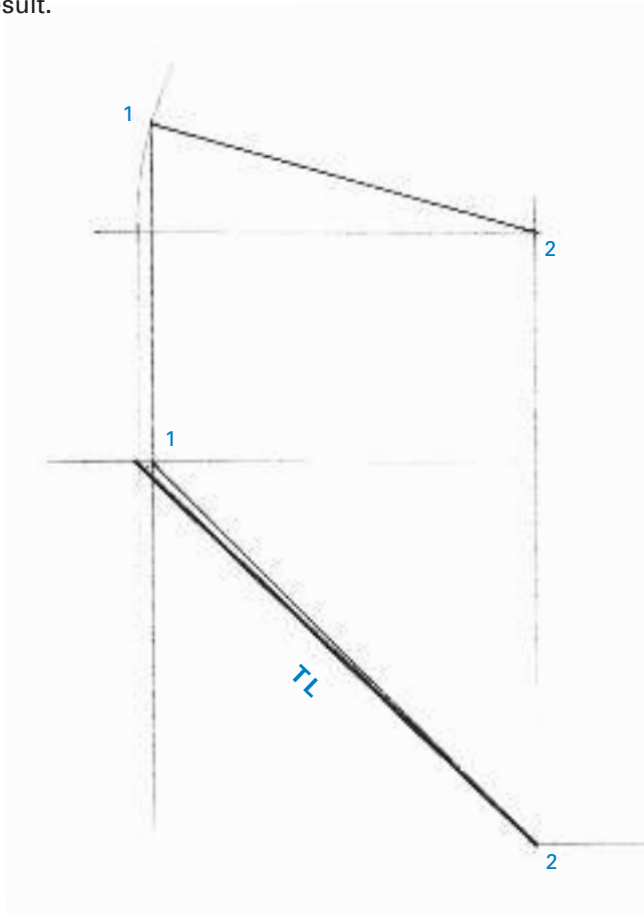
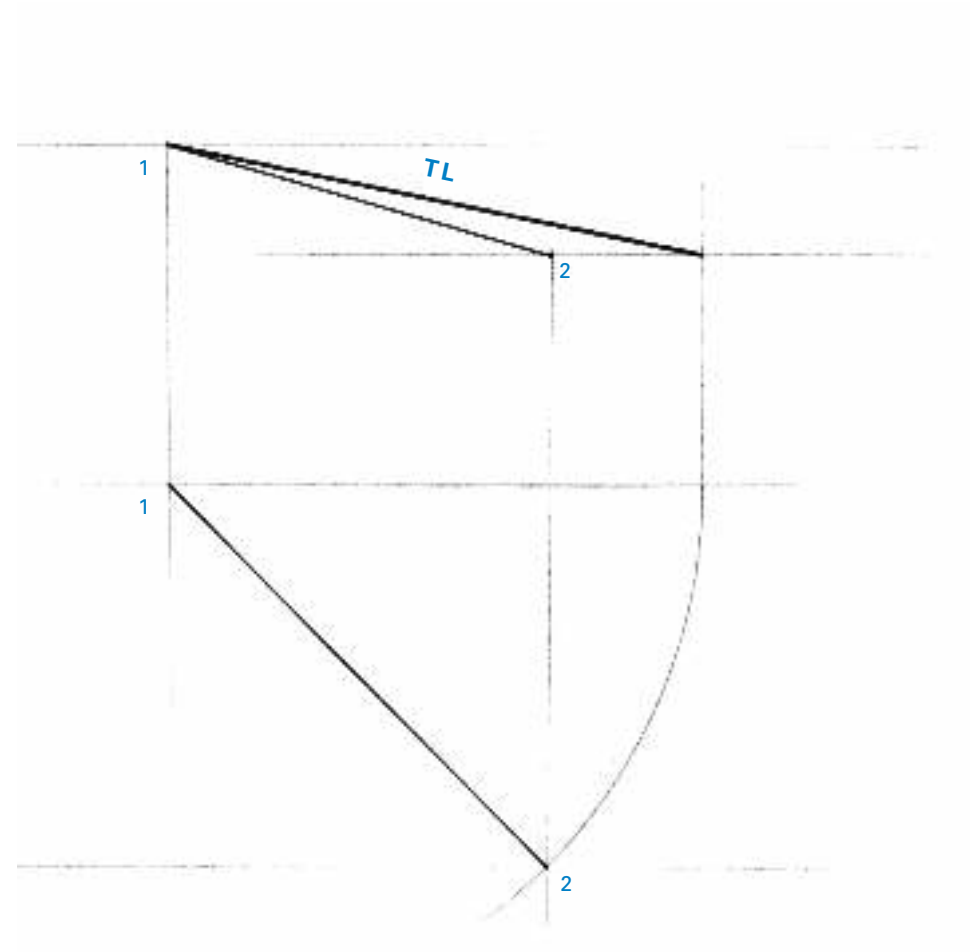


# Solutions Orthographic 6.52b

Two alternative Compass method solutions that produce the same result.



6.52b



6.52b