

Carl Zeiss Objectives Information

 [Brochure: Objectives from Carl Zeiss \(5 MB\)](#)

[→ Description of Classes of Objectives](#)

[→ Objectives Selection Search](#)

 [Print](#)

[→ back to selection](#)



[→ Transmittance curve](#)

Magnification	25x
Numerical Aperture	0.8
Working Distance [mm]	0.57 at cover glass 0.17
Coverglass Thickness [mm]	0-0.17
Thread Type	M27x0.75
Immersion	Oil, Glycerine and Water
Field of View [mm]	25
Parfocal Length [mm]	45.06
Long Distance [LD]	■
Correction Ring [Korr]	■
Iris [Iris]	
Optical System	Infinity Color corrected System (ICS)
Flatness	★★★★★
Color Correction	★★★★★

Biomedical Applications

Fluorescence	■
- Multichannel	★★★★★
- Ultraviolet Transmission	★★★★
- Infra Red Transmission	★★★★
BrightField [H]	■
Differential Interference Contrast [DIC]	★★★★★
High Contrast DIC [HC DIC]	
Polarization-Optical DIC [PlasDIC]	
Phase Contrast [PH]	
VAREL Contrast	
Hoffman Modulation Contrast [HMC]	
Polarization Contrast [POL]	

Materials- (Reflected Light) Applications

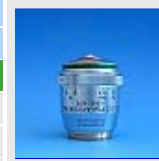
BrightField [H]	■
BrightField/DarkField [HD]	
Reflected Light DIC [RL DIC]	
High Contrast DIC [HC DIC]	
Circular polarized light DIC [C-DIC]	
Total Interference Contrast [TIC]	
Polarization Contrast [POL]	

Recommended for:

Confocal Microscopy	■
- Ultra Violet	★★★★
- VIS (visible light)	★★★★★
NLO-IR / 2 Photon	★★
Total Internal Reflection Fluorescence [TIRF]	
ApoTome	■
Microdissection	

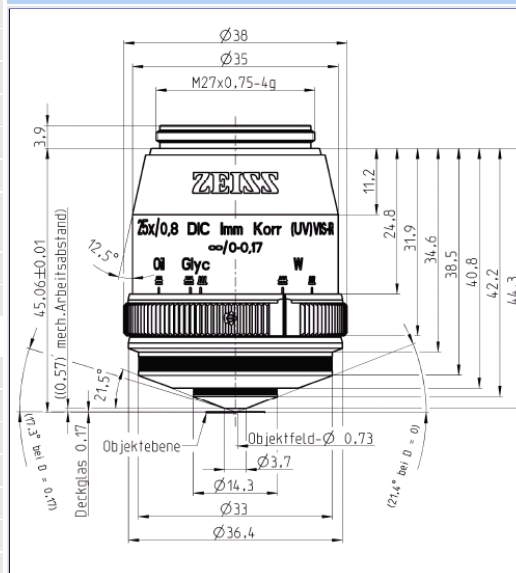
Objective LD LCI "Plan-Apochromat" 25x/0.8 Imm Corr DIC M27
420852-9870-000

Objective Class:
LCI Plan-Apochromat



Specifically for live cell imaging techniques

Mechanical Dimensions



All measures in [mm]

mech.Arbeitsabstand = mechanical working distance

Deckglas = cover glass

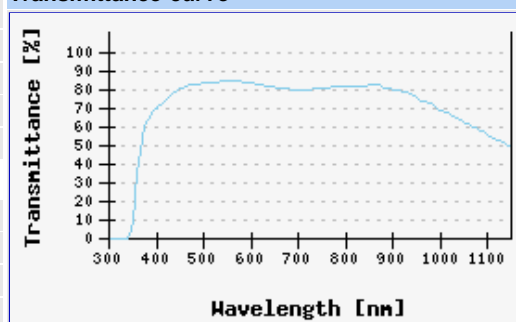
Objektebene = object plane

Objektfeld = object field

Ausleuchtung = illumination

Probenzugänglichkeit = specimen accessibility

Transmittance curve



Please note that due to production tolerances, the given values are typical only and not guaranteed.

Fitting Accessories for

420852-9870-000 Objective LD LCI "Plan-Apochromat" 25x/0.8 Imm Corr DIC M27

DIC slider

DIC slider LCI PN 25x/0.8 II

Condensor prism type II

426947-0000-000

[→ Picture](#)

Other Accessories

Adapter 30mm with optics and DIC slider mount	
for adaptation of objectives M27 with parfocal length of 45 mm to "Axio Examiner.D1" or "Axio Examiner.Z1"	
424516-9040-000 [no longer available]	→ Picture
Adapter 30mm with optics and DIC slider mount	
for adaptation of objectives M27 with parfocal length of 45mm to "Axio Examiner.D1" or "Axio Examiner.Z1"	
424516-9041-000	
Transmission grid L1 "ApoTome" for "Axio Imager"	
423664-0000-000	→ Picture
Transmission grid PL "ApoTome" for "Axioplan" 2	
000000-1151-003	→ Picture
Transmission grid VL "ApoTome" for "Axiovert" 200	
000000-1151-004	→ Picture

Immersion

Box of lens cleaning paper	
462975-0000-000	→ Picture
Immersion glycerine 1.455, bottle 10 ml	
462959-0000-000	→ Picture
Immersion medium "Immersol" W, bottle 20 ml	
n(e)=1.3339 (23°C) for water immersion	
000000-1252-136	→ Picture
Immersion oil "Immersol" 518 F fluorescence free, bottle 100 ml	
(ISO 8036-1/2, n(e)=1.518 (23°C), halogen-free)	
444962-0000-000	→ Picture
Immersion oil "Immersol" 518 F fluorescence free, bottle 250 ml	
(ISO 8036-1/2, n(e)=1.518 (23°C), halogen-free)	
444963-0000-000	→ Picture
Immersion oil "Immersol" 518 F fluorescence free, bottle 500 ml	
(ISO 8036-1/2, n(e)=1.518 (23°C), halogen-free)	
444964-0000-000	→ Picture
Immersion oil "Immersol" 518 F fluorescence free, oiler 20 ml	
(ISO 8036-1/2, n(e)=1.518 (23°C), halogen-free)	
444960-0000-000	→ Picture

© Copyright 2005-2006 by Carl Zeiss. Subject to change without notice.