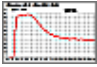


Objective Class: EC Plan-Neofluar

Best universal objectives, ideal for fluorescence, high transmission →

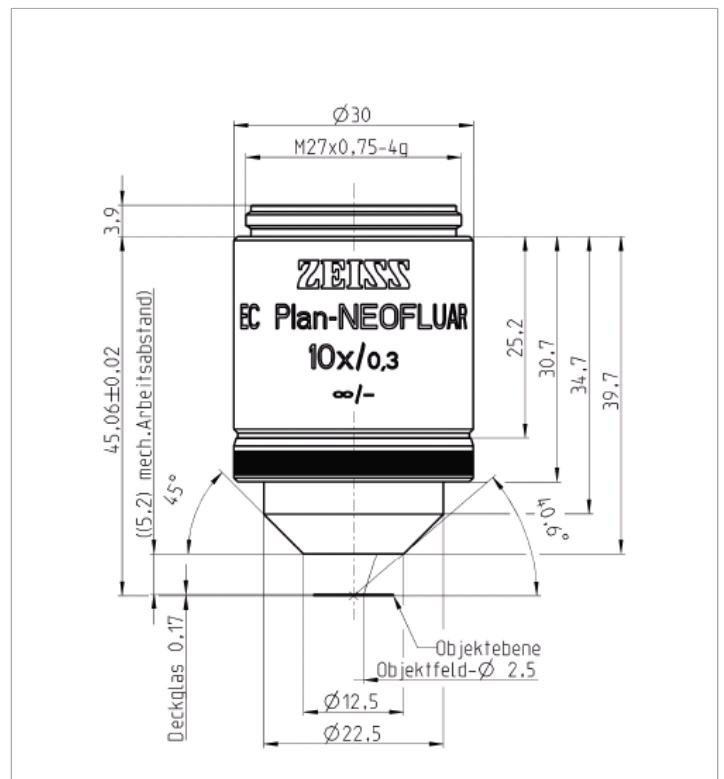
 → Transmittance curve	Objective EC Plan-Neofluar 10x/0.3 M27 420340-9901-000 Basket
	Price £ 882.00
Magnification 10x	
Numerical Aperture 0.3	
Working Distance [mm] 5.2	
Coverglass Thickness [mm] 0.17	
Thread Type M27x0.75	
Immersion Without Immersion	
Field of View [mm] 25	
Parfocal Length [mm] 45.06	
Long Distance (LD)	
Correction Ring (Korr)	
Iris (Iris)	
Optical System Infinity Color Corrected System (ICS)	
Flatness ★★★★	
Color Correction ★★★★	
Biomedical Applications	
Fluorescence ■	
- Multichannel ★★★★	
- Ultraviolet Transmission ★★★★	
- Infra Red Transmission ★★★	
BrightField (H) ■	
Differential Interference Contrast (DIC) ★★★★	
High Contrast DIC (HC DIC)	
PlasDIC Contrast ■	
Phase Contrast (PH)	
VAREL Contrast	
Hoffman Modulation Contrast (HMC)	
Polarization Contrast (POL)	
Materials (Reflected Light) Applications	
BrightField (H)	
BrightField/DarkField (HD)	
Reflected Light DIC (RL DIC)	
High Contrast DIC (HC DIC)	
DIC with circular polarized light (C-DIC)	
Total Interference Contrast (TIC)	
Polarization Contrast (POL)	
Options	
Confocal Microscopy ■	
- Ultra Violet ★★★★	
- VIS (visible light) ★★★★	
NLO-IR / 2 Photon ★★	
Total Internal Reflection Fluorescence (TIRF)	
ApoTome ■	
Microdissection ■	

Objective EC Plan-Neofluar 10x/0.3 M27



Objective EC Plan-Neofluar 10x/0.3 M27 (WD=5.2mm)

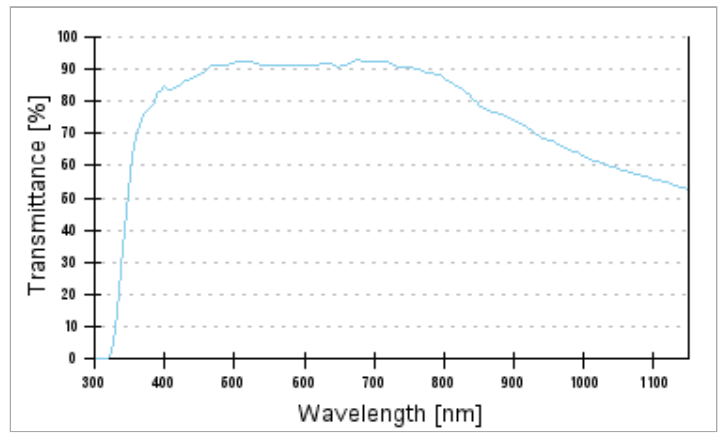
Mechanical Dimensions



All measures in [mm]

mech. Arbeitsabstand = mechanical working distance
 Deckglas = cover glass
 Objektenebene = object plane
 Objektfeld = object field
 Ausleuchtung = illumination
 Probenzugänglichkeit = specimen accessibility

Transmittance curve



Please note that due to production tolerances, the given values are typical only and not guaranteed.